

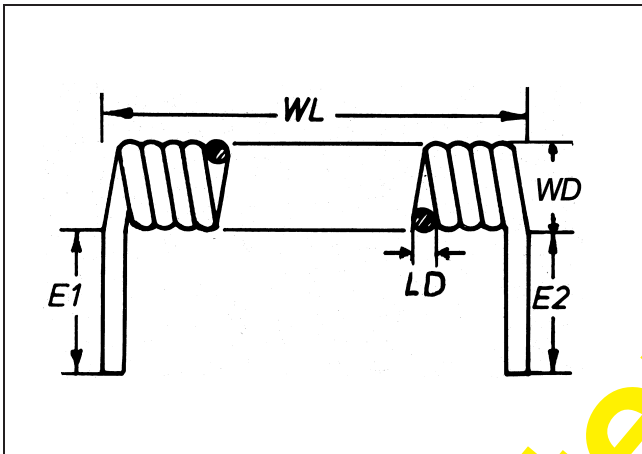
Enquiry Spiral Cable

to **HELUKABEL® GmbH**
 Export Dept.
 Dieselstrasse 8-12
 D-71282 Hemmingen
 Germany
 Tel. (00 49) 7150/92 09-0
 Fax (00 49) 7150/88 84
 www.helukabel.de

Sender _____
Contact _____
Phone _____ Fax _____

Enquiry No. _____
 Date _____

Requirement _____ pcs once continuous
 yearly requirement approx. _____ pcs



1. jacket type PVC PUR Neoprene _____
2. outer jacket colour _____
3. type No. of cores x cross section _____ x _____ mm²
4. screen yes: _____
5. spiral length (WL) closed _____ mm
6. max. elongation (extended spiral) _____ mm
7. spiral outer diameter WD _____ mm
8. internal diameter LD _____ mm
9. end lengths (axial or tangential) _____ mm
 E1 _____ mm E2 _____ mm

Remarks _____

Characteristics PVC (Polyvinylchloride)

PVC spiral cables offer a high degree of economy. They are suitable for installation wherever a light duty cable is required.

Characteristics PUR (Polyurethane)

Good resistance to chemicals and cold conditions. Good performance characteristics in all weather conditions, excellent mechanical properties such as tear and abrasion resistance, excellent oil resistance.

Characteristics Neoprene (Polychloroprene)

Very good weather resistance. Suitable for use in both dry and damp areas. Very good spiral elasticity. Resistant to most types of fats, oils and chemicals. Good performance when subjected to tension, bending, etc.

